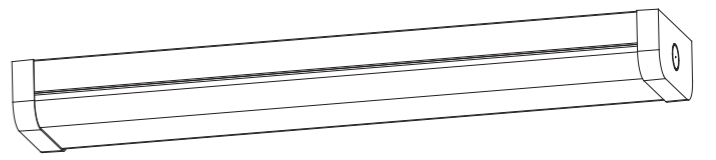
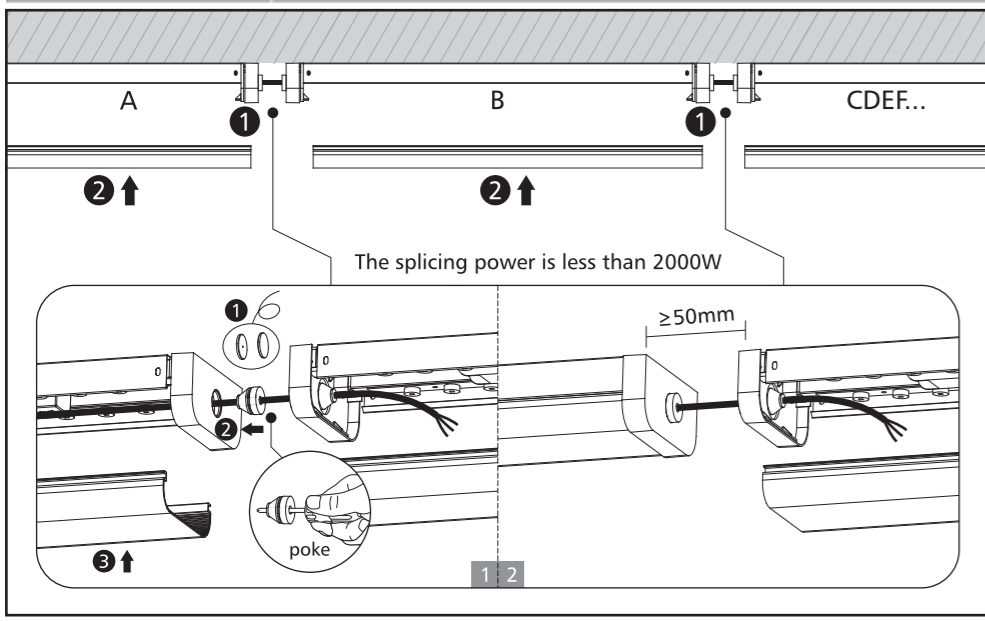


BEDIENUNGSANLEITUNG

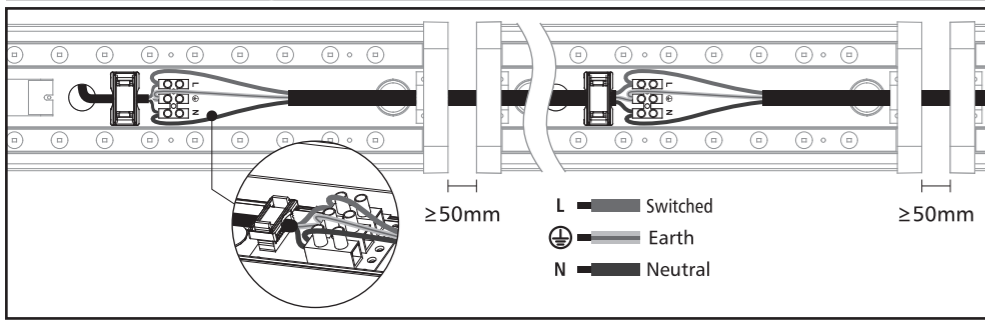
S00-38020-1500
Anbauleuchte QUICK



Splicing installation (Surface mounted / Suspended installation)



Splicing wire connection



Functions Instruction (For specific function, please refer to actual model)



Sensor
Detection area: 150 degree wide detective beam angle with 4-7 meters distance.

Daylight & Microwave Sensor:

Sensor Setting:

Detection area		
1	2	
ON	ON	100%
ON	-	75%
-	ON	50%
-	-	25%

Detection area:

Detection area can be reduced by selecting the combination on the DIP switches to fit precisely each application.

Notice 1: The test is based on a height of 3m, the radius is the ground detect distance, which can be selected through the slide switch.

Notice 2: The detective range is measured by human body whose stature is around 1.6-1.7M with medium size and traveling speed is around 1.0-1.5M per second. If the stature, bodily form and traveling speed are changed, then the detective range will be changed accordingly.

Notice 3: Test result will be highly influenced by test environment, the more open environment, the closer detect distance; the narrower environment, the longer detect distance. The detector may do self-excitation in a narrow environment.

Hold time			
3	4	5	
ON	ON	ON	5S
ON	ON	-	30S
ON	-	ON	1min
ON	-	-	3min
-	ON	ON	5min
-	ON	-	10min
-	-	ON	20min
-	-	-	30min

Hold time:

Refers to the time period the lamp remains at 100% illumination after no motion detected.

Notice 1: The hold time can be selected by the slide switch. The hold time counting should be started after the sensor is powered on and initialized.

Daylight sensor		
6	7	8
ON	ON	ON
ON	ON	-
-	ON	-
ON	-	-
-	-	-

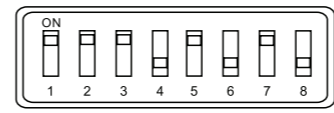
Daylight sensor:

The sensor can be set to only allow the lamp to illuminate below a defined ambient brightness threshold. When set to Disable mode, the daylight sensor will switch on the lamp when motion is detected regardless of ambient light level.

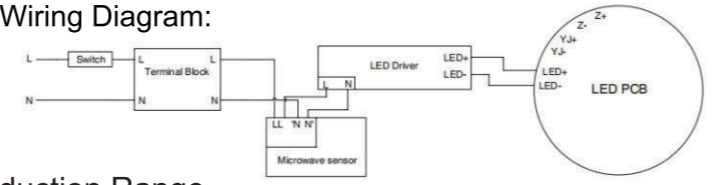
Notice 1: The light threshold can be selected through the slide switch, it may cause a large deviation in different lamps.

Factory settings:

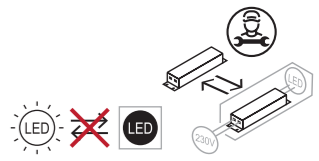
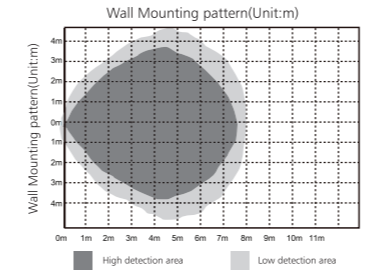
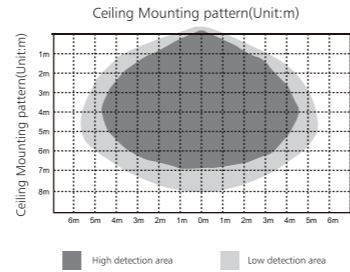
Detection Area	Hold Time	Daylight Sensor
100%	60S	25Lux



Wiring Diagram:



Induction Range



Safety Instructions

To ensure correct function and safety, please read and follow all instructions carefully before using the product:

1. Turn off power before installation or before doing any maintenance work.
2. Do not install any luminaire near the heat source.
3. Do not exceed the nominal supply voltage or amperage ratings.
4. All wiring and installation of the light fitting must adhere to local and national wiring rules.
5. Take care not to pull any electrical wires during unpacking as this may damage the connection.
6. Lay out all the components on a smooth surface and make sure there are no components missing before assembling.
7. To avoid injury or damage to the fitting, please ensure that power leads and screws are secure before connecting the power.
8. Please keep instructions for future reference.

Installation Procedure

WARNING

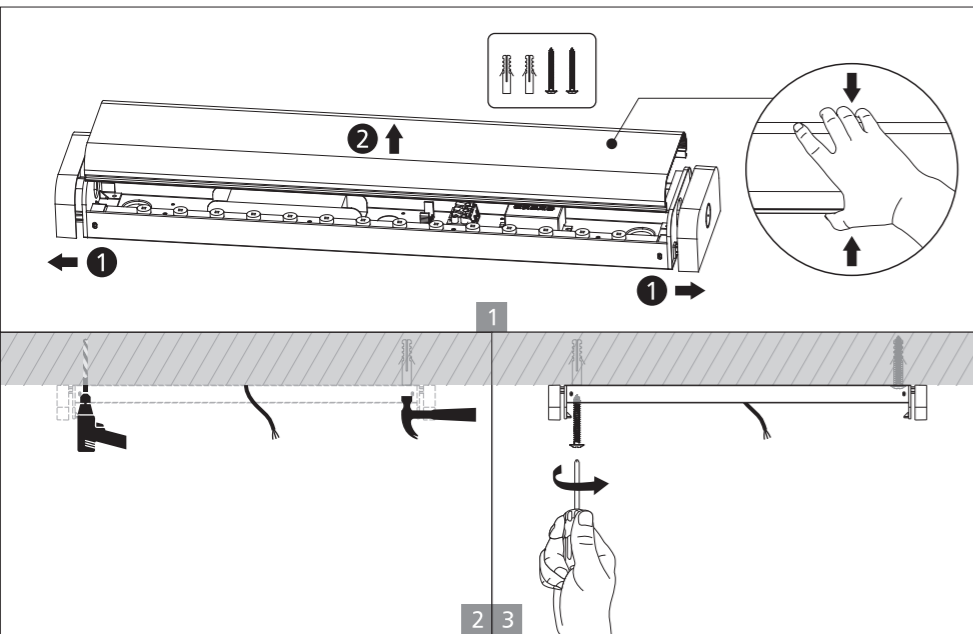
1. Switch off before installation.
2. Switch on only after complete installation and examination of the circuit.



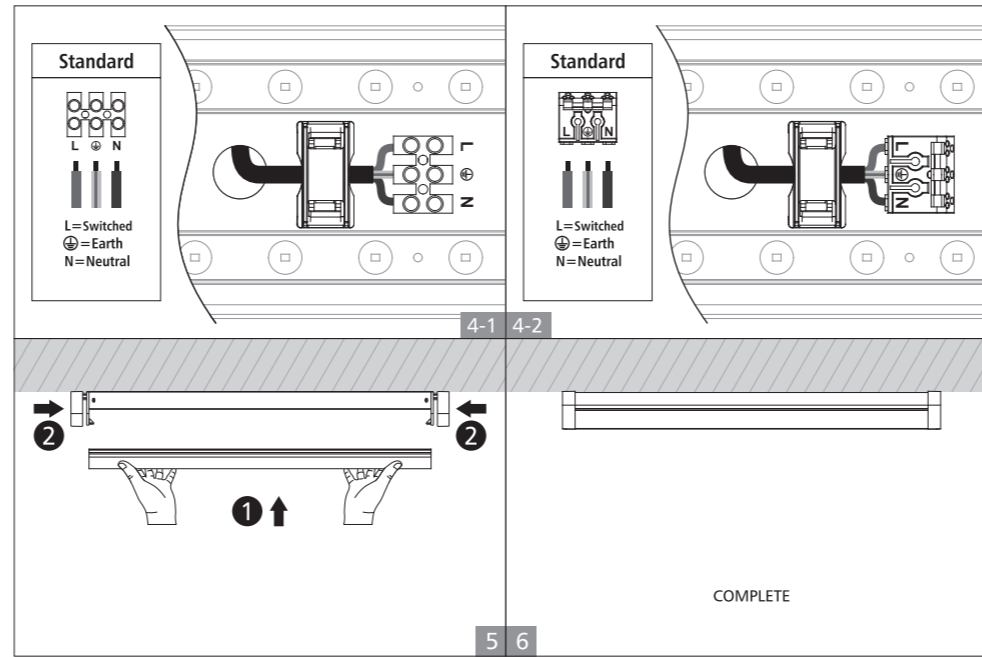
Turn Off power supply before starting any installation. Read instructions & check you have all the tools & accessories to complete the installation correctly.

The light source contained in this luminaire shall only be replaced by the manufacturer or his service agent or a similar qualified person.

Surface mounted installation



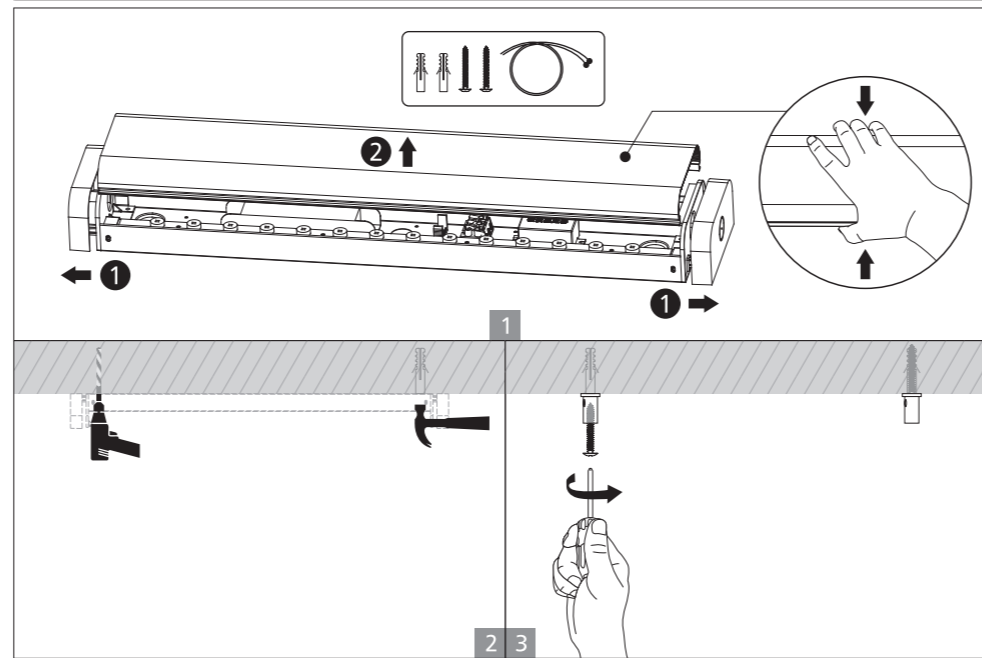
1



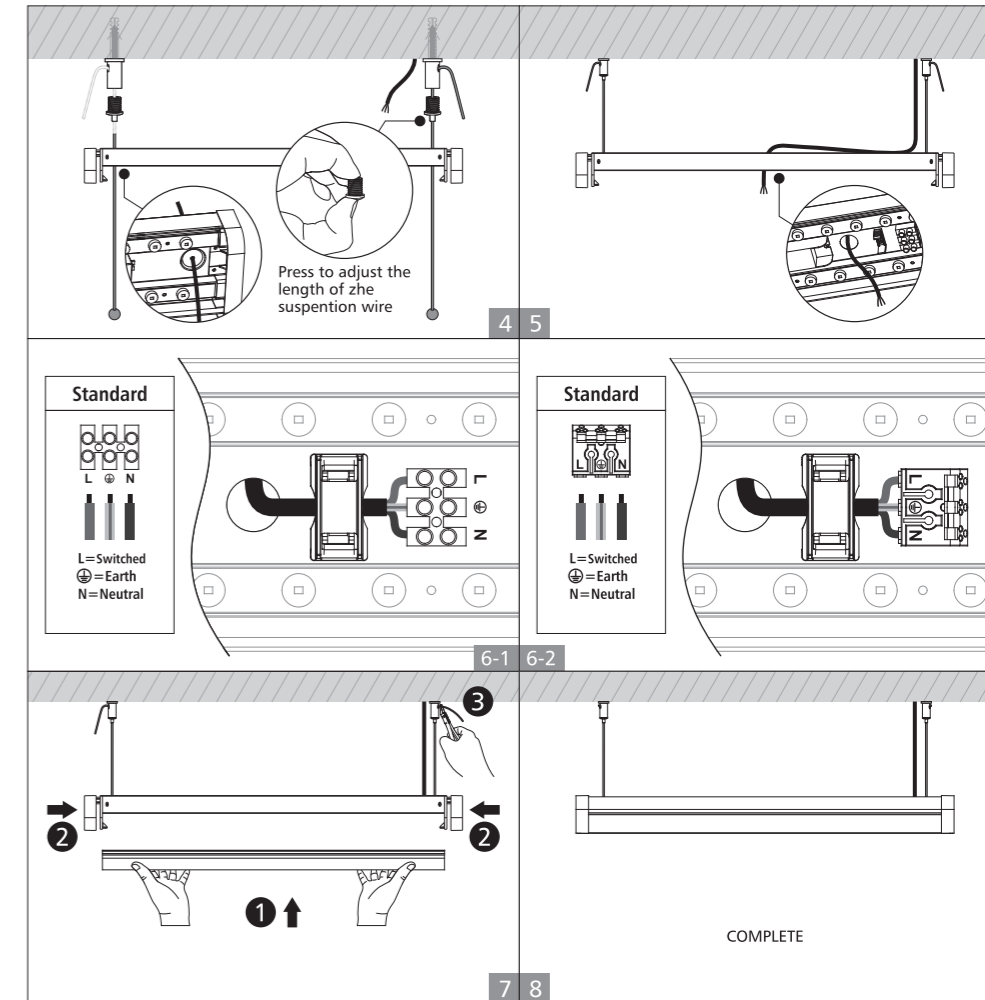
5 6

COMPLETE

Suspended installation



2



7 8

COMPLETE

3